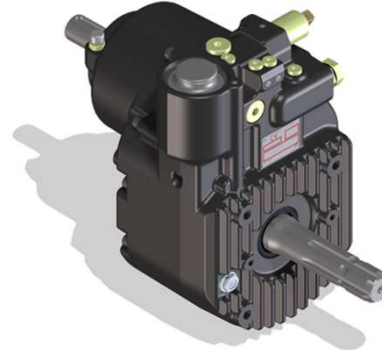


# Product information sheet

<b>Gearbox type</b>	RL2
<b>Nominal input speed</b>	1930 [rpm]
<b>Nominal output speed</b>	1000 [rpm]
<b>Ratio</b>	1,93:1
<b>Input direction</b>	CW
<b>Input shaft</b>	KW28
<b>Output direction</b>	CCW
<b>Output shaft</b>	1 3/8" 6 spline



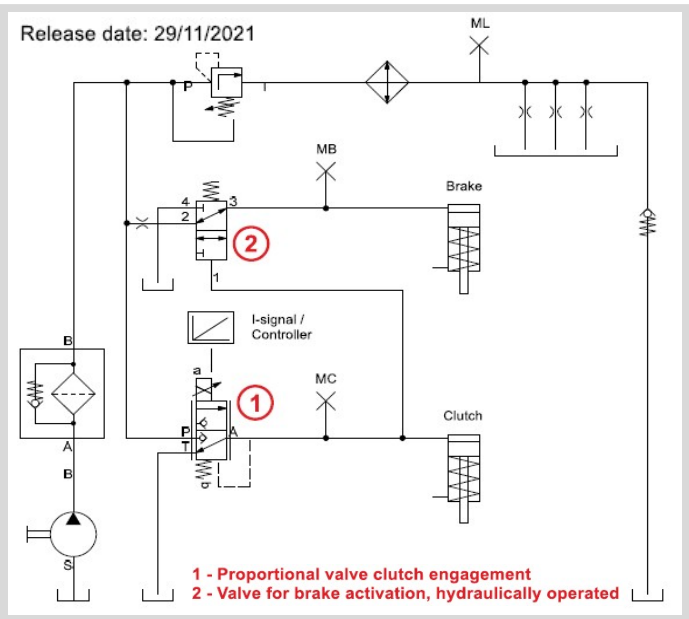
- Referenced to ISO 500-3
- Suitable for PTO cover according ISO 8759

<b>Oil type</b>	Transmission oil 80W SAE10W-30
<b>Integrated oil filter</b>	Press filter 10µm

Technical specifications		Geometrial specifications	
<b>Maximum power</b>	123 [kW]	<b>Vertical offset</b>	110 [mm]
<b>Nominal power</b>	110 [kW]	<b>Horizontal offset</b>	0 [mm]
<b>Minimum input speed</b>	500 [rpm]	<b>Weight</b>	40 [kg]
<b>Maximum input speed</b>	2300 [rpm]	<b>Height</b>	325 [mm]
		<b>Width</b>	211 [mm]
		<b>Depth</b>	230 [mm]

## Hydraulic scheme

**System pressure**  
 Nominal 20 [bar]



Bankrelatie: Rabobank Emmeloord, IBAN: NL35 RABO 0396 6838 35, BIC/Swift: RABONL2U, Inschr.nr. K.v.K. Flevoland: 39079483, BTW nr./VAT nr.: NL8106.45.257.B01

All sales are subject to our terms and conditions. These terms and conditions are available on our website: [www.zuidberg.nl/termsandconditions](http://www.zuidberg.nl/termsandconditions).

Zuidberg is a registered trademark.